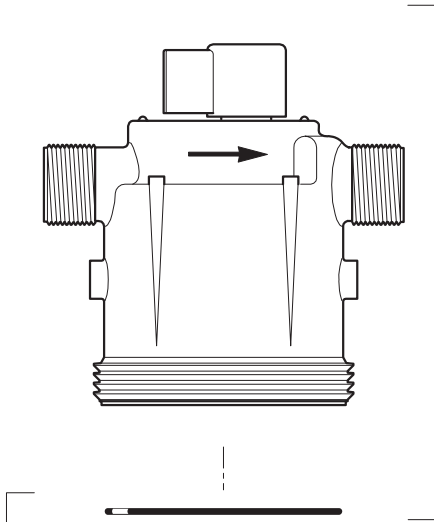
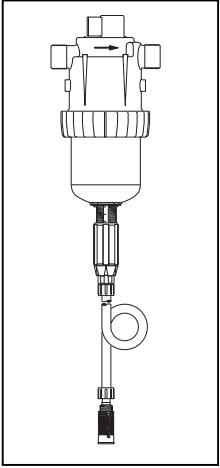
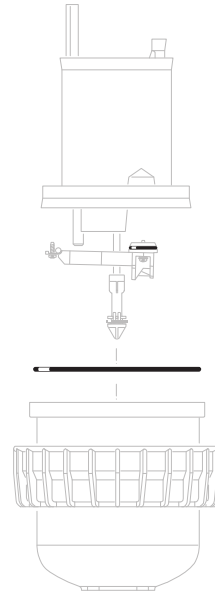


D45RE1.5

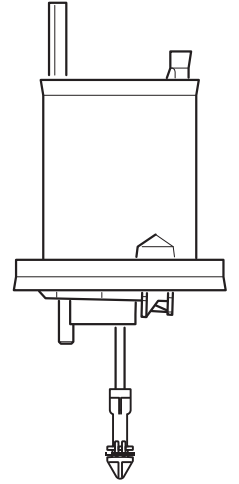
4.5 m³/h - 0.2 - 1.5%
20 GPM - 1:500 - 1:67
0.5 - 5 bar
7 - 70 psi



MP096

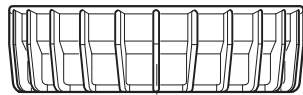
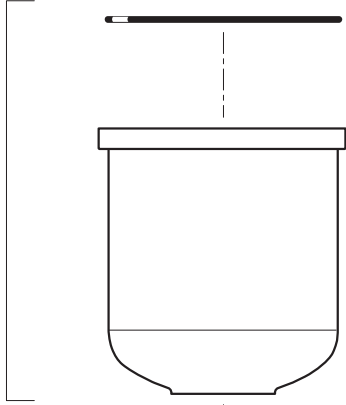


EM003

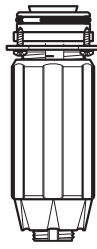


PC066

PJ063



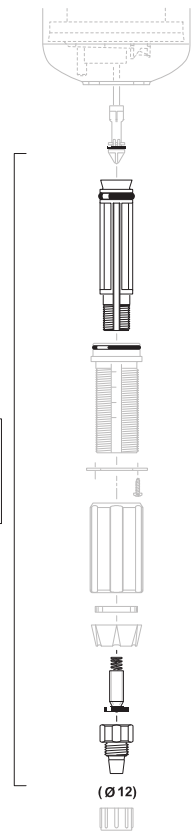
CD070



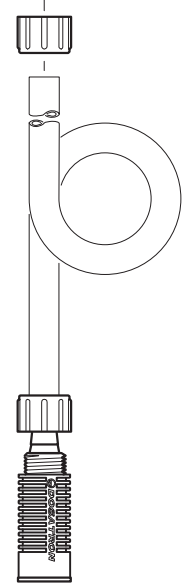
(Ø 12)



PJ096



(Ø 12)



MP104