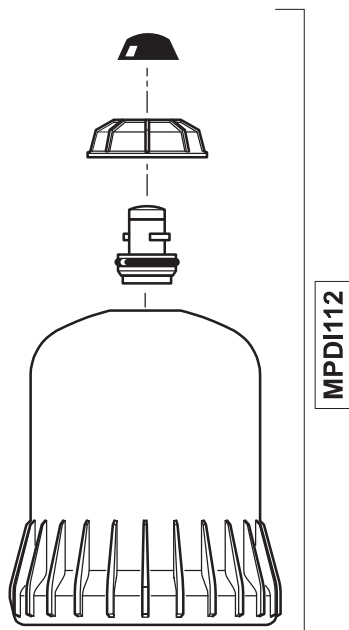
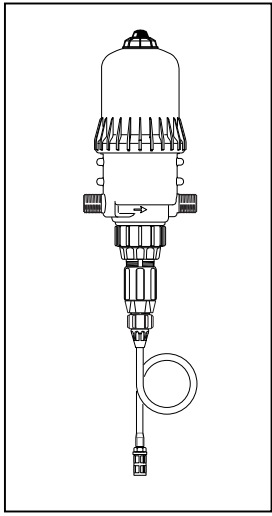
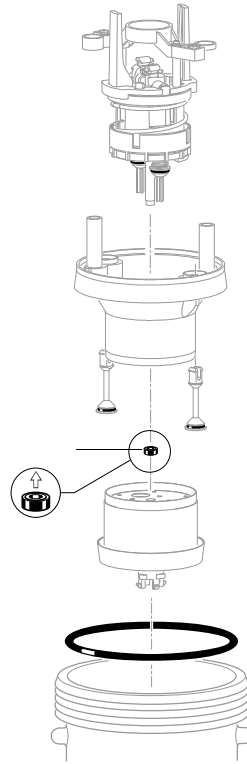


2.5 m³/h - 0.5 - 2%
11 GPM - 1:200 - 1:50
0.3 - 6 bar
4.3 - 85 psi

DI2



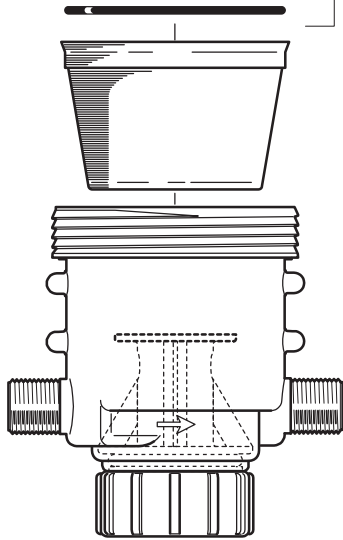
MPDI112



EMDI003

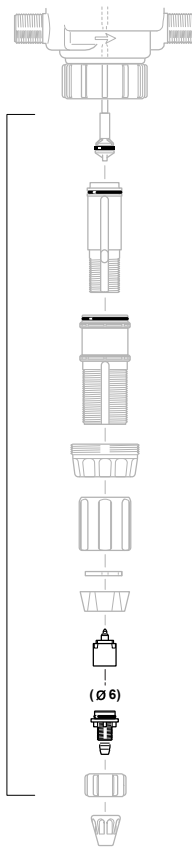
PCDI017

MPDI115



CDDI051 (Ø 6)

PJDI068 (Ø 6)



MPDI005

