

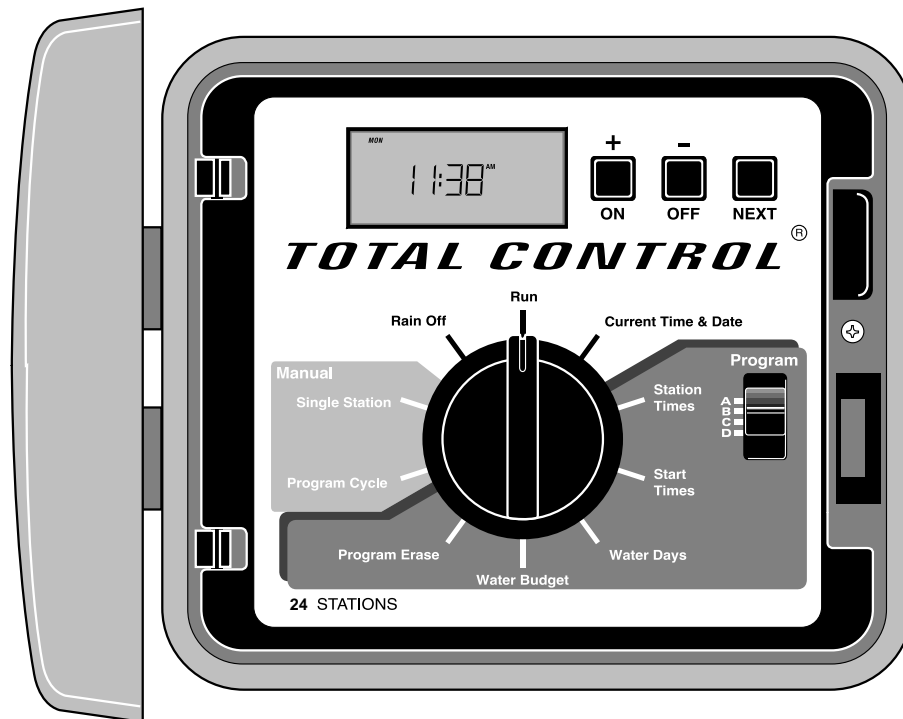


---

---

# TOTAL CONTROL™

## 24 STATION CONTROLLER



# User's Guide

---

---

- English
- Español
- Français

# FEATURES

---

Thank you for purchasing a Total Control 24-Station controller. Listed below are some important features you should be aware of before you begin programming. Details on how to implement these features are described on the following pages.

- Four fully independent programs that can run concurrently
- Watering day scheduling by Weekdays, Odd/Even days (with selective day removal) or Day Interval from 1 to 30 days.
- 365-day calendar with automatic compensation for leap year
- Sixteen total start times to use in any program
- Start time stacking overlap protection within each program
- Station watering time from 0 minutes to 10 hours in 1-minute increments
- Program information erase feature selectable by program
- Non-volatile program memory retains programming information for up to 30 years without power
- Battery backup maintains time and date during a power failure for over 2000 continuous hours on a single 9-volt alkaline battery.
- Water budgeting from 0 to 200% in 10% increments
- Rain delay programmable to 7 days
- Self-diagnostic electronic circuit breaker that identifies and overrides faulty stations
- Master valve/pump start operation selectable per program
- Complete manual operations available by station and program
- Sensor switch connection for operation with any normally-closed rain switch device
- Slide switch control provided for rain switch sensor override
- Modular design for ease of programming, installation and service

To take full advantage of all Total Control features, please review the User's Guide completely before programming or installing your new controller.

# TABLE OF CONTENTS

---

<b>Features</b> .....	<i>i</i>
<b>Controller Components</b> .....	2-3
<b>General Information</b> .....	4-6
How the Backup System Works.....	4
How the Electronic Circuit Breaker Works.....	5
How the Sensor Feature Works .....	6
<b>Programming the Controller</b> .....	7-15
Getting Started.....	7-9
Setting the Current Time and Date.....	10
Erasing Any Prior Programs .....	11
Setting the Station Run Time.....	11
Master Valve/Pump Start On/Off .....	12
Setting Program Start Times.....	12-13
Selecting the Days to Water .....	13-15
<b>Operating the Controller</b> .....	15-18
Water Budget.....	15
Manual Operations.....	16
Off and Rain Delay modes .....	17-18
<b>Installation Procedures</b> .....	19-24
Selecting an Installation Site.....	19
Mounting the Controller .....	20
Installing Electrical Conduit.....	20
Connecting the Valve Wiring.....	21
Connecting a Pump Start Relay .....	22
Connecting a Rain Shut-Off Sensor.....	23
Connecting an Earth Ground.....	23
Connecting the Power Wires.....	24
<b>Troubleshooting</b> .....	25-26
<b>Fuse Replacement</b> .....	27
<b>Specifications</b> .....	28

# CONTROLLER COMPONENTS

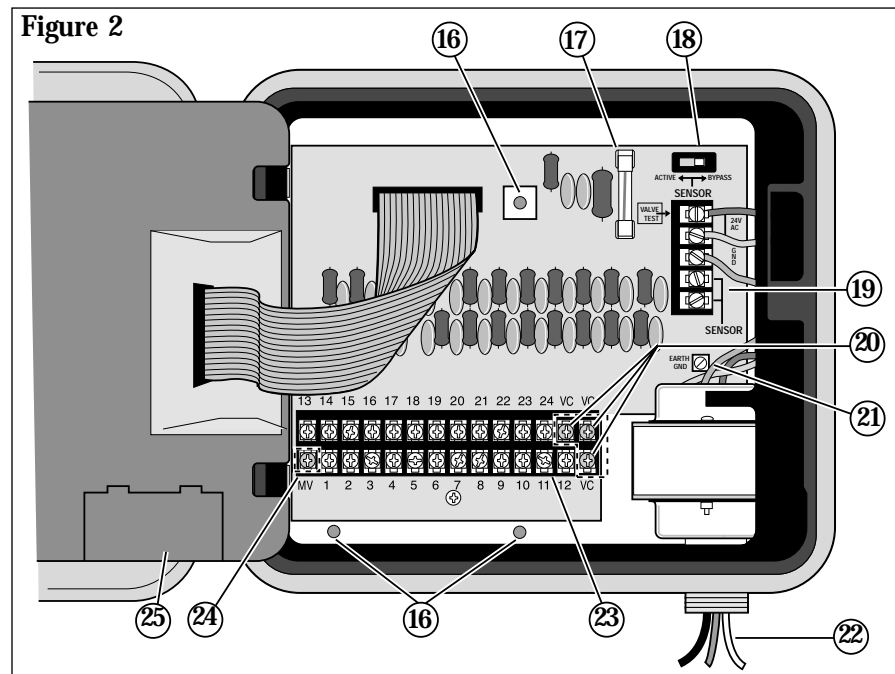
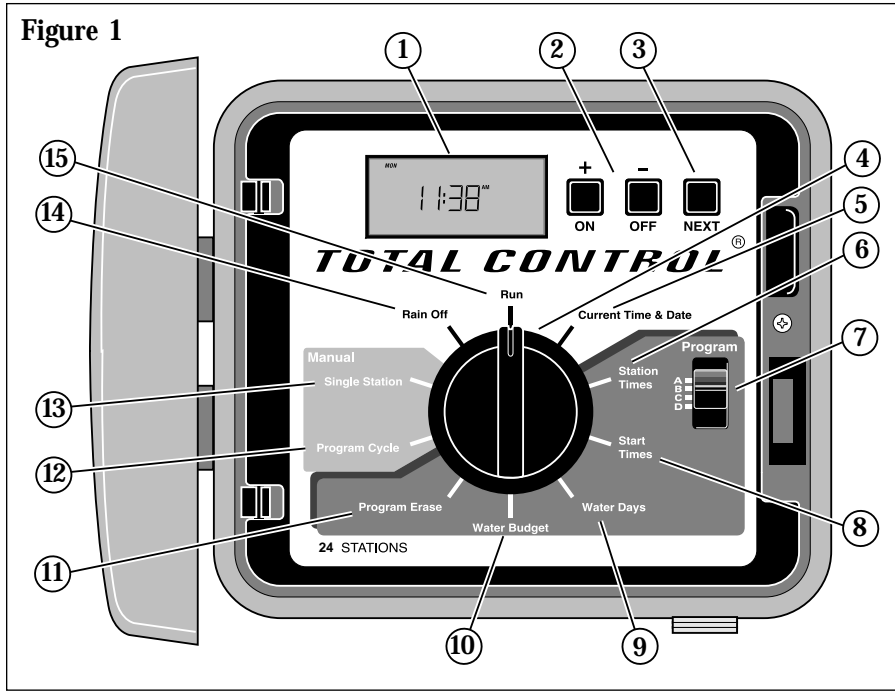
---

## ▲ FIGURE 1

- 1 **LCD Display:** For viewing time, program and status information.
- 2 **+ /On & - /Off Buttons:** For entry of program information.
- 3 **Next Button:** For selection of information to be programmed or reviewed.
- 4 **Function Dial:** For selecting the programming and operating functions.
- 5 **Current Time/Date:** For setting the current time and date.
- 6 **Station Times:** For setting individual watering time for each station.
- 7 **Program Select Switch:** For selection of programs A, B, C or D.
- 8 **Start Times:** For setting the time each program cycle will start.
- 9 **Water Days:** For setting a watering day schedule for each program.
10. **Water Budget:** For the increase or decrease of station times for all stations within a program without changing program memory.
- 11 **Program Erase:** For erasing information within a selected program.
- 12 **Manual Program Cycle:** For manual operation start of a selected program watering cycle.
- 13 **Manual Single Station:** For timed or untimed operation of a single station.
- 14 **Rain Off:** For immediate shut down of all controller output. Programmable output delay for 1–7 days (Rain Delay).
- 15 **Run:** For automatic operation.

## ▲ FIGURE 2

- 16 **Mounting Holes:** Pilot screw holes for attaching controller to wall.
- 17 **Safety Fuse:** Replaceable 2.0A slow-blow fuse provides protection from an internal short-circuit condition.
- 18 **Sensor Control Switch:** To override rain switch sensor input.
- 19 **Sensor Connection Terminals:** For the connection an optional (normally-closed)rain switch device.
- 20 **Valve Common Terminals:** For the connection of up to three field (24V) common wires.
- 21 **Earth Ground Lug:** For connection of a 16–12 gauge (1.0–2.0mm<sup>2</sup>) copper ground wire to an earth ground.
- 22 **1/2" NPT Conduit Nipple:** For the connection of an electrical conduit access body for input power wiring.
- 23 **Valve Wire Terminals:** For the connection of valve control wires.
- 24 **Master Valve Terminal:** For the connection of a master valve or pump start relay control wire.
- 25 **Battery Compartment:** 9-volt alkaline battery access compartment.



**Controller Components**

# GENERAL INFORMATION

---

This section contains general information on:

- How the backup system works
- How the electronic circuit breaker works
- How the sensor feature works

## HOW THE BACKUP SYSTEM WORKS

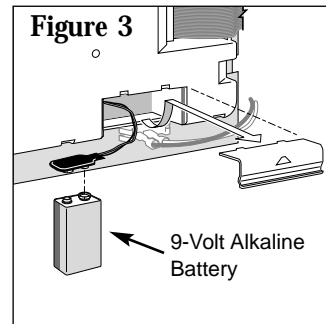
The Total Control uses non-volatile memory to store watering programs. This type of memory prevents the watering program information from becoming lost in the event of a power failure. An additional benefit of non-volatile memory is that a factory-installed backup program is not necessary, thereby avoiding the potential for unplanned operation.

Because the current time and date are always changing, only the most recent date can be saved in non-volatile memory. Therefore, a battery is required to maintain the correct time and date in the event of a power failure. A 9-volt alkaline battery (not provided) will maintain the correct time and date during power failures up to 90 days. In a typical installation, the battery should last from two to four years before replacement is necessary. Once the battery or AC power is connected, the controller can be fully programmed for operation.

**Note:** For operation of the valves, AC power must be applied.

### To install the battery:

1. Unlatch the hinged control module assembly and carefully swing it outward to open.
2. Locate and remove the battery compartment cover from the lower back side of the module. See **Figure 3**.
3. Connect a 9-volt alkaline battery to the battery clip terminals.
4. Insert the battery into the compartment and reinstall the battery compartment cover.



**Caution: Batteries contain hazardous material. Always handle and discard batteries properly in accordance with the battery manufacturer's recommendations.**

## HOW THE ELECTRONIC CIRCUIT BREAKER WORKS

The controller is equipped with an electronic circuit breaker. If the controller detects a short circuit, the affected station(s) will be turned off automatically. The display will then flash "SHORT" and the shorted station number or "MASTER VALVE." The controller continues to automatically water the other stations and the following watering programs until the shorted station is repaired. The program will be cancelled if the master valve circuit is shorted. Each automatic start will attempt another cycle and retest the short-circuited valve. Listed below are the most common conditions which will activate the electronic circuit breaker. After correcting the problem, return the controller to normal operation as follows:

1. Set the dial to one of the following positions: **Run**, **Manual-Single Station** or **Manual-Program Cycle**.
2. Press the **OFF** button to return the controller to the normal operating mode.

**Condition: The word "SHORT" displays with one or more station numbers.**

**Diagnosis:** One or more stations are shorted.

**Solution:** Check the wiring of the displayed stations for the cause of the shorted condition. Repair valve(s) and/or wiring as needed.

**Diagnosis:** Too many valves operating at the same time causing an overload condition.

**Solution:** Check watering programs for concurrent station operation. Include master valve/pump start relay if used. Maximum total output is 24 V a.c. at 1.25 amps. Reduce the number of stations running at the same time.

**Condition: The word "SHORT" displays without any station numbers.**

**Diagnosis:** A short circuit has occurred with a time duration too short for the controller to determine the station.

**Solution:** Check all valve wiring for breaks in the insulation which may cause a station output to short to common.

**Diagnosis:** A transient power surge spike has occurred.

**Solution:** Reset the controller.

**Diagnosis:** A short or overload occurred on one watering cycle but was no longer there on a subsequent cycle.

**Solution:** Check for loose and/or exposed valve wiring.

## HOW THE SENSOR FEATURE WORKS

The Total Control is equipped to operate with an optional rain sensing device (rain switch) to prevent automatic controller operation during rain.

The rain switch is a simple device, typically installed on a roof overhang or stationary structure exposed to rainfall and full sun, and shielded from irrigation spray.

When rain occurs, the normally-closed rain switch senses the moisture and opens the valve common circuit, effectively preventing all output to the field. The electronic programming portion of the controller is isolated from the rain sensor switch, and continues to operate as programmed. When rain stops and the rain switch returns to its normally-closed state, the valve common circuit is restored, enabling watering to resume as scheduled.

A two-position sensor switch (see item 18 on page 3) is provided to enable you to easily bypass operation of the the rain switch at any time. If you choose to disregard rain switch input, place the **SENSOR** switch in the **Bypass** position. To enable rain switch operation, place the Sensor switch in the **Active** position.



**IMPORTANT: If a rain switch is NOT connected to the controller, the SENSOR switch MUST be in the BYPASS position to enable controller operation.**

**The controller will not operate automatically or manually if the SENSOR switch is in the ACTIVE position without a rain switch connected.**



# PROGRAMMING THE CONTROLLER

---

This section covers the following topics:

- Getting started
- Setting the current time and date
- Erasing any prior programs
- Setting the station run time
- Selecting Master Valve/Pump Start on/off
- Setting the program start times
- Selecting the days to water

## GETTING STARTED

### PREPROGRAMMING THE CONTROLLER

The unique design of the Total Control enables you to easily remove the control module from the cabinet for convenient programming while in the comfort of your home.

To take advantage of this feature, unlatch the control module and swing it outward. Disconnect the ribbon cable, then simply unclip the module from its support frame. Now, by installing a 9-volt alkaline battery (as shown on page 4), you can program and review your watering schedules and have the controller ready to operate immediately upon completion of the installation procedures.

**Note:** To extend battery life, the display will automatically dim after two minutes of inactivity. To restore the display, simply turn the function dial to any position. A fresh battery will maintain the current time and date for over 2000 hours of continuous duty. The program memory is non-volatile and does not require a sustaining power source for retention.

### WHAT IS A WATERING PROGRAM?

A watering program is basically a small set of instructions which tells the control module when to start a watering cycle, which stations to operate during the cycle, which days the cycle will be active and how long each station will operate during the cycle. The Total Control has four independent watering programs available for your use. Although only one program is required to operate your controller, using separate programs enables you to optimize the amount of water being applied to different areas of the landscape. For example, you might use one program to water lawns in full sun every day. Another program could be used to water lawns in partial shade only on Monday, Wednesday and Friday. Trees and shrubs

using drip irrigation could run on a separate program once every two weeks. The garden area requirements might include watering every other day.

To take full advantage of the programming options available, it is important to first understand how the controller works during operation. The following section explains what a watering cycle is and provides a basic example of how multiple programs can be set up.

### WHAT IS A PROGRAM WATERING CYCLE?

When a watering start time is selected, that time becomes the beginning of an automatic watering cycle. A watering cycle operates each station assigned to the program, one by one, in numerical order.

In the following example (also shown on the sample watering plan on page 9), we have set up Program A to start at 2:00 a.m. and again at 3:00 a.m. on a 1-day interval (every day). Stations 1, 2, 4 and 5 are front and back yard lawn areas which get full sun throughout the day. Each station will run for 10 minutes per watering cycle, for a total of 20 minutes run time per day. Stations 3, 6 and 7 are lawn areas which are shaded during the afternoon hours. These areas require less water, so we have assigned them to Program B and programmed them to run once for 20 minutes on a 2-day interval (every other day).

At 2:00 a.m., Program A watering cycle starts. Station 1 turns on, runs for 10 minutes, and shuts off. Station 2 turns on, runs for 10 minutes, and turns off. Stations 4 and 5 operate sequentially in the same manner, each running for their set run time. When Station 5 shuts off, the watering cycle is completed for the first start time. At 3:00 a.m., the watering cycle starts again and repeats the same station-by-station watering sequence.

Note that we have 40 minutes total operating time per cycle in Program A. If we had set the next start time at 2:30 a.m., the start time would have been delayed until 2:40 a.m., enabling the first cycle to finish as programmed. This function is called “start time stacking”, and can occur within each program.

Watering programs, however, operate independently, which means that two or more programs can run simultaneously. In our example, Program B will also start at 2:00 a.m. Therefore, Stations 1 and 3 will turn on at the same time, and Station 2 will turn on while Station 3 is running. This feature enables more watering to be completed within the prime “watering window”, which is generally between Midnight and 6:00 a.m.

**Note:** When scheduling watering programs to run simultaneously, it is important to ensure the water supply has sufficient pressure and volume to maintain optimum sprinkler performance.

## WATERING SCHEDULE FORM (SAMPLE)

For your convenience, a Watering Schedule Form/Quick Reference Card is provided. Use the form to plan and record your automatic watering activities. Use the quick reference instructions when minor programming changes are required. Keep the card with the controller by attaching it to the inside front cover.

(Example)

Watering Schedule Form		Program A	Program B	Program C	Program D
Watering Day Schedule					
Week Days					
Odd/Even					
Interval		1	2		
Watering Cycle Start Times		2 am, 3 am	2 am		
Station	Station Description	Station Run Time			
1	Front Lawn (sun)	10 min			
2	Front Lawn (sun)	10 min			
3	Side Lawn (shade)		20 min		
4	Back Lawn (sun)	10 min			
5	Back Lawn (sun)	10 min			
6	Back Lawn (shade)		20 min		
7	Back Lawn (shade)		20 min		
8					
9					
10					
11					
12					
13					
14					
15					
16					
17					
18					
19					
20					
21					
22					
23					
24					

## SETTING THE CURRENT TIME AND DATE

Before you can program the controller for automatic watering, you must set the controller clock to the current time and date. This controller features a 365-day calendar with automatic leap year compensation. Once the date is set, the controller keeps track of the date and enables trouble-free, odd-even day of the month watering required in some locations. The time and date apply to all programs. To set the time and date, follow the steps below.

1. Turn the Function Dial to the **Current Time & Date** position. The Hour digits and **AM/PM** will flash.
2. Press the + button to increase or – button to decrease the hour digit.  
**Note:** Continuous pressure on the + or – buttons, causes the display to change rapidly.
3. Press the **NEXT** button to select the minutes digits.  
Use the + and/or – buttons to set the current minute.
4. Press the **NEXT** button to select the year digits.  
Use the + and/or – buttons to set the current year.
5. Press the **NEXT** button to select the month.  
Use the + and/or – buttons to set the current month.
6. Press the **NEXT** button to select the day digit(s).  
Use the + and/or – buttons to set the current calendar day.
7. Return the Function Dial to the **Run** position when the current time and date have been set.

## ERASING ANY PRIOR PROGRAMS

This process enables you to easily clear the controller memory of all user-defined watering program information within an individual program. This is an optional procedure and can be skipped if you wish to retain previous program operating information or the controller has not yet been programmed.

Erasing a program resets the memory to factory conditions: No station run time, program start time or active watering days. Water Budget is set to 100% and Master Valve/Pump Start is set to be "On."

Note: This process is program independent and resets only the information for the selected program.

### To erase program information for a selected program:

1. Select Program A, B, C or D with the Program switch.
2. Turn the function dial to the Program Erase position. The display will show "ERASE."
3. Press and hold the OFF button until "DONE" is displayed.
4. Repeat this procedure for each program you wish to erase.

## SETTING THE STATION RUN TIME

A station is assigned to a program when it is given a station run time (from 1 minute to 10 hours) in that program. The station can have only one run time per program. Additionally, the station can be assigned to any number of programs and have a different run time assigned in each.

### To set the run time for each station:

1. Turn the function dial to the Station Times position. The controller displays STATION NUMBER 1 and OFF (or the current station run time).
2. Select Program A, B, C or D with the Program switch.
3. Press the NEXT button to select the station number you wish to set (if other than the one displayed).
4. Use the + and/or – buttons to display the desired station run time.

**Note:** OFF is the factory setting for each station. If the station has a run time and you wish to remove it from this program, use the + and/or – buttons to select OFF, (displayed between 10:00 [ten hours] and 00:01 [one minute]). (CONTINUED)

5. Repeat steps 3 and 4 to set a run time for each station you wish to assign to the selected program.
6. Repeat steps 2 through 5 for each program as necessary.

## MASTER VALVE/PUMP START ON/OFF

The Total Control enables automatic operation of the Master Valve/Pump Start output circuit to be controlled independently for each watering program. For example, if a program is used for drip irrigation and the system pump is not required, the Master Valve/Pump Start output circuit can be shut off whenever that program begins operation.

The factory setting is ON for each program. Use the steps below to select the operation of this feature for each program as necessary.

1. Turn the function dial to the **Station Times** position.
2. Select Program **A, B, C** or **D** with the **Program** switch.
3. Press the **NEXT** button repeatedly until **MASTER VALVE** is displayed.
4. Press the **OFF** or **ON** button to display the operation of the master valve/pump start output for the selected program.
5. Repeat steps 2 through 4 for each program as necessary.

## SETTING PROGRAM START TIME(S)

This procedure is used to set the watering cycle start time(s) for each program. A maximum of 16 start times can be allocated to the four programs in any manner. Each start time will initiate a sequential watering cycle of all stations with an assigned run time in the program.

**Note:** When 16 start times have been allocated, the display will show **NONE REMAINING** when attempting to assign additional start times.

### To set program cycle start time(s):

1. Turn the function dial to the **Program Start Times** position.
2. Select Program **A, B, C** or **D** with the **Program** switch.
3. Use the **+** and/or **-** buttons to display the start time.  
**Note:** To remove a start time, adjust the time to display **OFF** (located between 11:59 p.m. and 12:00 a.m.).
4. Press the **NEXT** button to assign another start time to the program.
5. Repeat steps 2 through 4 for each program as necessary.

**Note:** The Total Control will operate one watering cycle in a program at a time. If a start time occurs while a watering cycle is in progress, the start time will be delayed until the previous cycle is finished (this is called “start time stacking”). If the watering cycle extends past midnight into the next day, the cycle will continue operating until finished. However, if a watering cycle has been delayed until after midnight into a non-watering day, the watering cycle will not occur.

## SELECTING THE DAYS TO WATER

Several watering day scheduling options are available. Each watering program can utilize any ONE of the following schedules:

- **Days of the week**

Use this type of schedule to water on specific days of the week. The days are displayed as three-letter abbreviations. For example, Sunday is SUN, Monday is MON, etc. Only the days you select to water will remain on the display.

- **Odd Days or Even Days**

To select every odd or even number calendar day, use this option. Because the 31st and the 1st are both odd number days, the 31st is automatically removed from the schedule. This watering day option also enables selected days of the week to be removed from the schedule.

- **Day Interval**

Selecting watering days by Day Interval enables a specific number of days between watering to be selected. For example, selecting a 1-day Interval schedules watering for every day. A 2-day interval schedules watering for every other day. A 30-day interval is the maximum interval frequency, which provides watering once every 30 days.

Another setting within the Day Interval is the current day of the schedule. The current day (displayed as TODAY) can be set for any day within the interval. This number automatically increases by one every day. When the TODAY number equals the Day Interval number, a watering day will occur. For example, to water every third day starting today, a 3-day interval would be set with TODAY as day 3. Or, to water every 5 days starting tomorrow, a 5-day interval would be selected with TODAY as day 4.

**To set a watering day schedule for each program:**

1. Turn the function dial to the **Watering Days** position. The display will show the current watering day schedule for the selected program.
2. Select Program **A, B, C** or **D** with the **Program** switch.
3. Set the watering day(s) for the program using one of the three following procedures: **Days of the Week**, **Odd Days/Even Days** or **Day Interval** scheduling procedure.
4. Repeat steps 2 and 3 as necessary to set a watering day schedule for each program.

**Days of the Week**

- A. Press the **NEXT** button until the weekday abbreviations are shown at the top of the display.
- B. Press the **ON** button. **SUN** (Sunday) will begin flashing.
- C. To select the day, press the **ON** button. To remove the day from the schedule, press the **OFF** button.
- D. Press the **NEXT** button to select the next day.
- E. Repeat steps C and D to set the remaining days of the week.

**Odd Days or Even Days**

- A. Press the **NEXT** button until **ODD DAYS** or **EVEN DAYS** is displayed.
- B. Press the **ON** button to select the schedule.  
**Optional:** To remove selected days of the week from the Odd/Even watering schedule:
  1. Press the **NEXT** button until the selected day begins flashing.
  2. Press the **OFF** button to exclude the day from the schedule. (Press the **ON** button to restore the day to the schedule.)

**Day Interval**

- A. Press the **NEXT** button until the **DAY INTERVAL** option is displayed.
- B. Press the **ON** button to select this option.
- C. Press the **NEXT** button. The display shows the current Day Interval number (1–30).



- D. Use the + or – button to select the Day Interval (1–30 days).
- E. Press the NEXT button. The controller displays TODAY and its current setting.
- F. Use the + or – button to select the desired setting for today.

## **OPERATING THE CONTROLLER**

---

This section includes instructions for the following controller operations:

- Water Budget
- Manual Operations
- Off and Rain Delay Modes

### **WATER BUDGET**

The Water Budget feature enables you to easily increase or decrease the station run time (by percentage) of all stations assigned to a selected program. This is handy for making temporary, overall station run time adjustments without changing the original run time settings. Water Budget values range from 0 to 200% in 10% increments, with 100% being the normal setting.

For example, as the fall season approaches and the temperature decreases, you may want to reduce the station time for the stations in program A by 30%. Later you can return station times to their original values by setting the Water Budget value back to 100%.

**Note:** It is possible to inadvertently cause start time stacking when increasing station run time. Careful planning and use of Water Budget will prevent this from occurring.

**To change the Water Budget percentage value of a selected program:**

1. Turn the function dial to the **Water Budget** position.
2. Select Program **A, B, C** or **D** with the **Program** switch.
3. Use the + and/or – buttons to increase or decrease the percentage value (0–200%).
4. Turn the function dial to the **Run** position.

**Note:** The controller displays the % symbol in the **Run** position when Water Budget is in use for any program. During operation, the adjusted run time will be displayed.

## MANUAL OPERATIONS

Manual operation allows you to run individual stations or start automatic watering programs as needed. The Total Control provides separate dial positions for each type of operation: Single Station and Program Cycle.

### SINGLE STATION

This option enables individual stations to be operated for an untimed duration (turned On/Off) or operated for a selectable duration from one minute to 10 hours.

1. Turn the function dial to the **Single Station** position.
2. Select Program A, B, C or D with the **Program** switch.

**Note:** The programmed status of the master valve/pump start in the selected program determines whether the master valve/pump start will be activated with the manual operation.

3. Use one of the following options to operate the station.

#### **For untimed operation:**

- A. Press the **NEXT** button as necessary to display the station you wish to operate.
- B. Press the **ON** button. The station will turn on and remain on until one of the following occurs:
  - The **OFF** button is pressed
  - The controller clock passes midnight
  - The function dial is moved to another position

#### **For timed operation:**

- A. Press the **NEXT** button as necessary to display a station you wish to operate.
- B. Use the **+** and/or **-** buttons to set the desired amount of station run time (for this operation only), from one minute to 10 hours.
- C. To select additional stations to operate in sequence, repeat steps A and B as desired. Each station will operate one-by-one in the order they were selected.
- D. Leave the function dial in the **Single Station** position until the manual operation is complete, then return the dial to the **Run** position.

## PROGRAM CYCLE

Use this feature to manually operate watering programs. You can run the entire program or start anywhere within the station sequence of the program.

**Note:** Only the stations with an assigned run time in the program will operate during the program watering cycle.

1. Turn the function dial to the **Program Cycle** position.
2. Select Program **A, B, C** or **D** with the **Program** switch.
3. Press the **NEXT** button to select the first station of the watering sequence (if other than the station number displayed).
4. Press the **ON** button to start the watering cycle. Watering will start with the selected station and will be followed by all subsequent stations. The display will show the run time remaining for the operating station.

**Note:** You may advance through the stations by pressing the **NEXT** key for the next station. To terminate operation at any time, press the **OFF** button.

5. Leave the function dial in the **Program Cycle** position until the manual operation is complete, then return the dial to the **Run** position.

## OFF AND RAIN DELAY

Use this feature to turn off controller operation for indefinite periods of time (Off mode) or for a selected number of days (Rain Delay mode).

### Turning Off the Controller

Turning the function dial to the **Rain Off** position places the controller in the Off mode. After a 2-second delay, any current watering activity will shut off and all subsequent watering program activity will be suspended. As long as the function dial is in the **Rain Off** position, the controller will remain in the Off mode. The controller clock continues to update current time and date, and all watering program information is retained while in the Off mode. Normal controller operation is resumed by simply placing the function dial in any other position.

### Using the Rain Delay Mode

The Rain Delay mode enables automatic watering to be delayed from 1 to 7 days. At the end of the selected delay period, the controller resumes automatic operation. (CONTINUED)

**To set a Rain Delay period**

1. Turn the function dial to the **Rain Off** position.
2. Use the + and/or – buttons to select the number of days (1–7) to delay operation.
3. Turn the function dial to the **Run** position.

The display will show the number of days remaining in the delay period. The day number will automatically decrease by one digit each time the clock passes midnight. Automatic operation resumes when the display shows no delay days remaining.

**Note:** The controller can be operated manually while in the Rain Delay mode.

**To cancel the Rain Delay mode:**

1. Turn the function dial to the **Rain Off** position.
2. Press the – button until the display shows no delay days remaining.
3. Turn the function dial to the **Run** position.

# INSTALLATION PROCEDURES

---

This section includes instructions for mounting the controller cabinet and making the necessary wiring connections. To ensure safe operation, it is important to follow the instructions carefully. The following procedures include:

- Selecting an Installation Site
- Mounting the Controller
- Installing Conduit
- Connecting the Field Wiring
- Connecting an Optional Rain Switch sensor
- Connecting an Optional Pump Start Relay
- Connecting an Earth Ground
- Connecting the Power Wires

## SELECTING AN INSTALLATION SITE

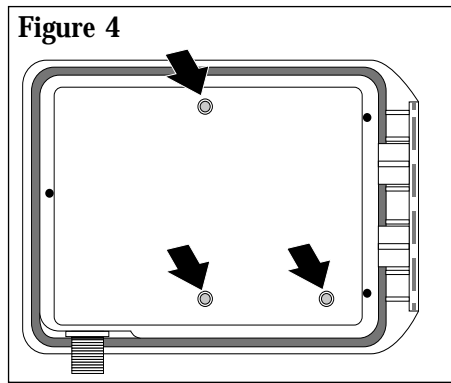
Selecting the proper installation site for the controller is essential to safe and reliable operation. The Total Control features a weather resistant cabinet designed for indoor or outdoor installation.

For easy operation and better view of the display, install the controller so that the display is at, or slightly below, eye level.

The controller should be installed on a vertical wall or other sturdy structure near a grounded power source. Select a location that shades the controller during the hottest hours of the day and provides as much protection from direct sunlight, rain, wind and snow as possible. DO NOT mount the controller where it will be exposed to direct spray from the irrigation system.

## MOUNTING THE CONTROLLER

1. Place the mounting template (provided) on the wall, positioning the controller display area (indicated on the template) at or slightly below eye level. Using a small punch or nail, mark the locations of the top and bottom centerline mounting holes and the additional lower hole if extra cabinet support is desired.
2. Drill pilot holes at least 1-1/4" (32mm) deep into the wall using a 3/32" (2.5mm) drill for wall stud, or 1/4" (6.5mm) for masonry.
3. For the masonry wall installation only, insert plastic screw anchors into the pilot holes.
4. Open the cabinet door and swing out the control module by pressing in on the release latch.
5. With the cabinet door and control module in the open position, turn the controller over, resting it face down on a clean smooth work surface.
6. Using a 3/16" (5mm) drill, carefully drill through the center of the mounting hole locators on the back of the controller cabinet. See **Figure 4**.
7. Align the cabinet mounting holes with the wall pilot holes. Using the #10 x 1" (25.4mm) phillips head screws, securely fasten the cabinet to the wall.



## INSTALLING ELECTRICAL CONDUIT

**Note:** Electrical conduit and adapters are not supplied with the controller but may be required for installation in your area. Check local electrical codes and install conduit according to requirements.

1. For power wires, install a 1/2" NPT threaded conduit access body to the transformer assembly threaded nipple. From the access body, install conduit to the source point of connection. (Domestic and international models only.)
2. For field (low voltage) wiring, install a 1-1/2" (38mm) conduit adapter and conduit.

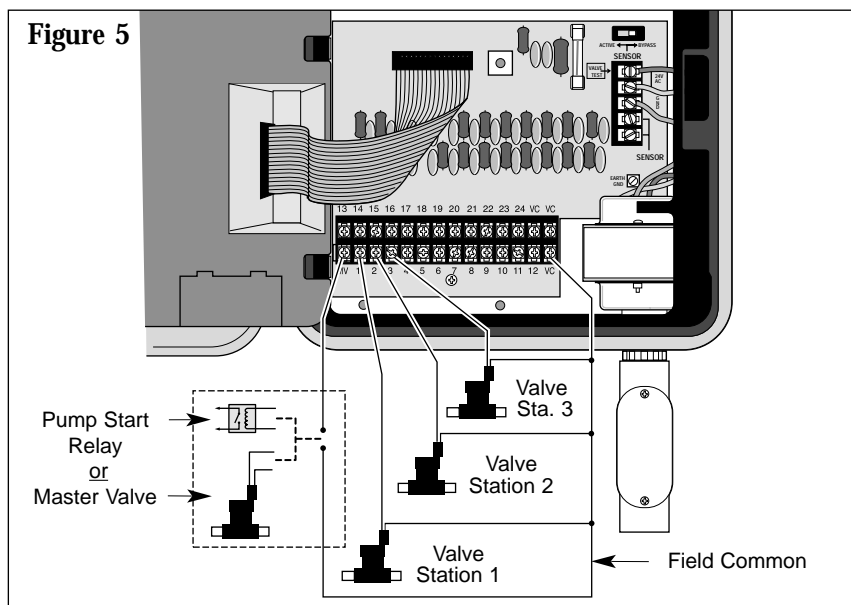
## CONNECTING THE VALVE WIRING

1. To provide a field common wire, attach one wire to either solenoid lead of all sprinkler valves and master valve (optional).
2. Attach a separate control wire to the remaining solenoid lead of each valve. Label the control wires with the intended station number for identification at the controller.

**Caution: All wiring splices must be waterproofed to prevent short circuits and corrosion.**

**Caution: A maximum load of 12 VA (0.5 amps) may be connected to each station. A maximum load (including master valve) of 30 VA (1.25 amps) may be programmed to operate simultaneously. Exceeding these limits can damage the controller.**

3. Route the control and common wires into the controller cabinet through the 1-1/2" (38mm) access opening. Remove approximately 1/2" (13mm) insulation from the ends of each wire.
4. Attach the field common wire to one of the three valve common terminals labeled "VC."
5. Referring to **Figure 5** connect each valve control wire to the appropriate station number terminal. If an optional master valve is installed, connect its control wire to the terminal labeled "MV." Tighten all terminal screws securely.



Installation Procedures

## CONNECTING A PUMP START RELAY

When a pump is to be operated by the controller, a compatible relay must be used. The relay coil will be connected to the master valve (MV) terminal and must be rated for 24 V a.c. at 0.5A maximum. The relay contacts will be connected to the pump start terminals and must be rated for use with the particular pump.


**Note:** Transient suppressors may be needed across the relay contacts in installations using large pumps.

**Caution:** Do not connect the master valve output terminal directly to the pump start terminals. This will damage the controller.

**To connect the pump start relay:**

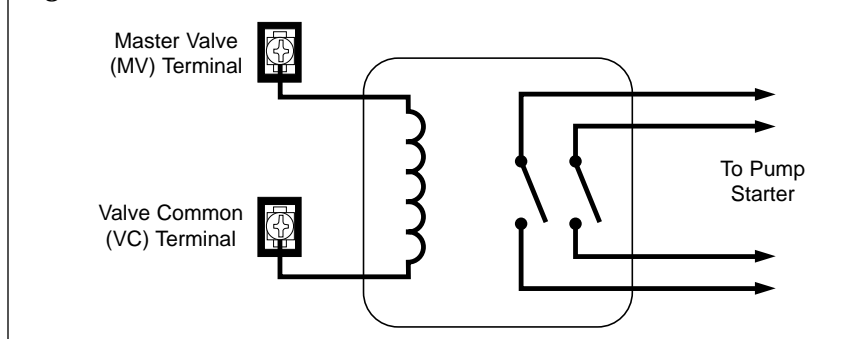
1. Connect the master valve output terminal (MV) to one side of the relay coil.
2. Connect the other side of the relay coil to the valve common (VC) terminal. See **Figures 5 and 6**.

**WARNING**



Proper connection of the pump and relay contacts depends on the pump configuration and may involve **HIGH VOLTAGE**. This connection should be performed by a licensed electrical contractor in accordance with all requirements of the National Electrical Code, applicable state and local codes and the pump manufacturer's recommendations.

**Figure 6**





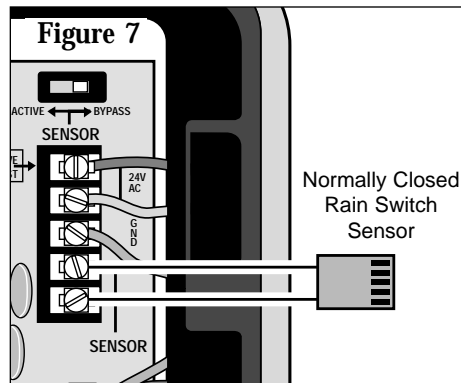
## CONNECTING A RAIN SWITCH SENSOR

The Total Control is designed for use with a normally-closed rain sensor or “Rain Switch.” (Refer to page 6 for additional important rain switch information.)

### To connect the rain switch sensor:

1. Route the two wires from the sensor into the cabinet through the field wire access opening.
2. Connect the wires to the “SENSOR” terminals in either order. See **Figure 7**.

**Note:** Refer to the installation instructions provided with the sensor for additional information.



## CONNECTING AN EARTH GROUND

A power surge is a sudden rise in voltage on the power main line. It is then often followed by a drop in voltage as the power line equipment tries to protect area users. A lightning strike on the power grid is the most common cause of power surges and can be damaging to the controller. Surge protection is built into the Total Control PC board to reduce the potential for surge damage by shunting the voltage to earth ground. Therefore, an important step in the installation process is to properly connect the controller to an earth ground source, especially if the controller is located in a lightning-prone area.

**Caution:** The built in surge protection components cannot effectively protect the controller circuitry from power surge unless properly connected to an earth ground source.

### To connect an earth ground:

1. Route a 12–16-gauge (2.0–1.0mm<sup>2</sup>) solid copper wire in the most direct path from the “EARTH GND” lug, located on the controller’s terminal board (see item 21 on page 3), to an earth ground source such as metal (not plastic) water pipe or copper-clad ground rod.
2. Clamp the bare wire securely to the pipe or ground rod. Make sure the wire contact area is free of dirt and corrosion.

## CONNECTING THE POWER WIRES

The controller has a built-in transformer which must be connected to a grounded three-wire 120 V a.c. (domestic), 230 V a.c. (international) or 240 V a.c. (Australia) power source.



### WARNING

All electrical components must meet applicable national and local electrical codes including installation by qualified personnel.

These codes may require an external junction box mounted on the transformer nipple and a means in the fixed wiring of disconnecting AC power having a contact separation of at least 0.120" (3mm) in the line and neutral poles.

Ensure the AC power source is OFF prior to connecting to the controller.

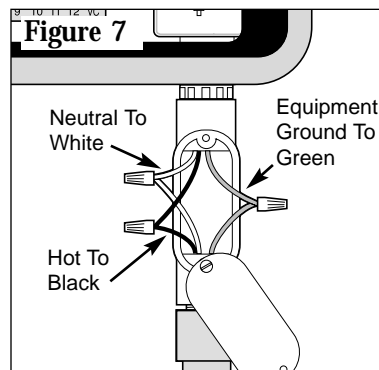
The wire used for connection to the controller must have insulation rated at 105°C minimum.

**Caution:** Do not connect the controller to one phase of a three-phase power supply used by a pump or other electrical equipment.

1. Ensure the power is disconnected at the source.
2. Route the AC power and equipment ground wires through electrical conduit to the controller.
3. Using a proper wire connection method, attach the Hot (Line 1) to the Black wire, Neutral (Line 2) to the White wire and Equipment Ground to the Green or Green/Yellow wire.

**Note:** The wire connection method shown in **Figure 7** applies to a domestic controller installation only. For international controller installation, refer to electrical code requirements for proper wire connection method. For Australian installation, connect the power cord to a grounded 240 V a.c. receptacle.

4. Close and secure the conduit body cover. Apply power to the controller.



# TROUBLESHOOTING

---

❖ Error	Solution
❖ All valves will not turn on automatically	<ol style="list-style-type: none"><li>1. Verify program: station time, watering start times, watering days schedule, current time, current day, water budget and rain delay.</li><li>2. Check valve common wire for proper connection.</li><li>3. Check for a shorted station; refer to</li><li>4. "How the electronic circuit breaker works" on page 5.</li><li>5. Ensure rain sensor (if installed) is properly connected and functioning properly. <b>If rain sensor is not installed, ensure the SENSOR SWITCH is in BYPASS position.</b></li><li>6. Check fuse, replace if necessary. See p. 27.</li></ol>
❖ Cannot program	<ol style="list-style-type: none"><li>1. Disconnect power to controller for 1 minute. Reconnect power and reprogram.</li><li>2. Install fresh 9-volt alkaline battery.</li><li>3. Verify that all 16 start times are not in use by other programs.</li></ol>
❖ Controller skips a cycle	<ol style="list-style-type: none"><li>1. Verify watering start times, current time and watering days schedule.</li></ol>
❖ No display	<ol style="list-style-type: none"><li>1. Check power source for tripped circuit breaker.</li><li>2. If program module has been removed, this is a normal battery-saving feature. Turn dial to any position to reactivate display.</li><li>3. Disconnect power to controller for 1 min. Reconnect power and reprogram.</li><li>4. Replace battery</li><li>5. Check fuse, replace if necessary. See p. 27.</li></ol>

❖ Error	Solution
❖ <b>Valve stays on</b>	<ol style="list-style-type: none"> <li>1. Check station times and water budget.</li> <li>2. Check for Manual mode; place dial in <b>Run</b> position.</li> <li>3. Disconnect valve wire. If still on, valve malfunction is indicated.</li> <li>4. Check for manual bleed closure at valve.</li> </ol>
❖ <b>Valve will not turn on</b>	<ol style="list-style-type: none"> <li>1. Ensure dial is not in <b>Rain Off</b> position or Rain Delay mode active.</li> <li>2. Verify program: station time, watering start times, watering days schedule, current time, current day and water budget.</li> <li>3. Make sure common wire and valve wire are correctly connected.</li> <li>4. Check for a shorted station, refer to page 5.</li> <li>5. If using sensor, check sensor.</li> <li>6. Check for blown fuse. Replace if necessary. See page 27 for fuse replacement information.</li> </ol>
❖ <b>“Short” or “Master Valve” is displayed</b>	<ol style="list-style-type: none"> <li>1. See “How the Electronic Circuit Breaker Works” on page 5 for troubleshooting information.</li> </ol>
❖ <b>Waters too often</b>	<ol style="list-style-type: none"> <li>1. Too many program start times set. Check each program to determine the number of start times assigned and remove as necessary.</li> </ol>

# FUSE REPLACEMENT

---



## WARNING

If fuse replacement is required, replace only with the same type and rating. Installing a higher amperage fuse can result in serious injury and or equipment damage due to fire hazard.

1. Disconnect power to the controller.
2. Carefully remove the fuse (item 17 on page 3) from the end clips.
3. Install a new 2.0A slow-blow fuse, ensuring it is securely seated in both end clips.
4. Restore power to the controller.

# SPECIFICATIONS

---

**Cabinet:** Plastic, weather-resistant, indoor/outdoor, wall mount with key-actuated locking cover

**Dimensions:** 10.5" W x 8.375" H x 5" D  
(26.67cm W x 21.27cm H x 12.7cm D)

**Wiring/Conduit Provision:** Power Wiring – 1/2" NPT nipple  
Field Wiring – 1-1/2" (38mm) diameter conduit access

**Power Specifications, Domestic Model (TC-24EX-B):**

**Input** – 120 V a.c., 60 Hz, 0.5A

**Output** – 24 V a.c., 60 Hz, 1.25A (max. total), 0.5A (max. per station)

**Power Specifications, International Model (TC-24EX-B-50-E):**

**Input** – 230 V a.c., 50 Hz, 0.5A

**Output** – 24 V a.c., 50 Hz, 1.25A (max. total), 0.5A (max. per station)

**Power Specifications, Australian Model (TC-24EX-B-50-A):**

**Input** – 240 V a.c., 50 Hz, 0.5A

**Output** – 24 V a.c., 50 Hz, 1.25A (max. total), 0.5A (max. per station)

**Sensor Input:** Normally-closed rain switch (override switch provided)

**Master Valve/Pump Start Relay Output:** 24 V a.c., 0.5A (maximum)

**Battery:** 9-volt, Alkaline

**Fuse:** 250V, 2A, Slow-Blow

**Temperature Limit Specifications:**

**Operating** – 32°F to 140°F (0°C to 60°C)

**Storage** – -22°F to 149°F (-30°C to 65°C)



### **Electromagnetic Compatibility**

**Domestic:** This equipment generates and uses radio frequency energy and if not installed and used properly, that is, in strict accordance with the manufacturer's instructions, may cause interference to radio and television reception. It has been type tested and found to comply with the limits for a FCC Class B computing device in accordance with the specifications in Subpart J of Part 15 of FCC Rules, which are designed to provide reasonable protection against such interference in a residential installation. However, there is no guarantee that interference will not occur in a particular installation. If this equipment does cause interference to radio or television reception, which can be determined by turning the equipment off and on, the user is encouraged to try to correct the interference by one or more of the following measures:

- Reorient the receiving antenna.
- Relocate the irrigation controller with respect to the receiver.
- Move the irrigation controller away from the receiver.
- Plug the irrigation controller into a different outlet so that the irrigation controller and receiver are on different branch circuits.

If necessary, the user should consult the dealer or an experienced radio/television technician for additional suggestions. The user may find the following booklet prepared by the Federal Communications Commission helpful:

"How to Identify and Resolve Radio-TV Interference Problems." This booklet is available from the U.S. Government Printing Office, Washington, DC 20402. Stock No. 004-000-00345-4.

**International:** This is a CISPR 22 Class B product.

### **Technical Assistance**

U.S.A.:  
P.O. Box 489  
Riverside, California 92502  
Tel: (800) 634-8873  
(909) 785-3623

Europe:  
Irritrol Systems Europe s.p.a.  
Via dell'Artigiano 1/3-Loc Prato della Corte  
00065 Fiano Rome (Roma) Italy  
Tel: (39) 0765 455201

Australia:  
Irritrol Systems PTY Ltd.  
53 Howards Road  
Beverly SA 5009  
Tel: (08) 8300 3633