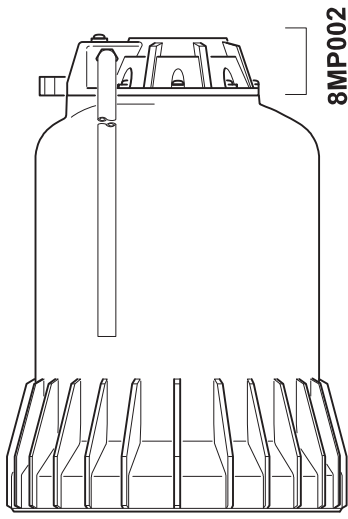
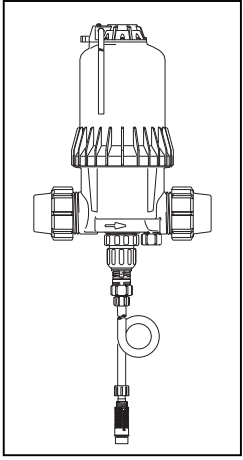


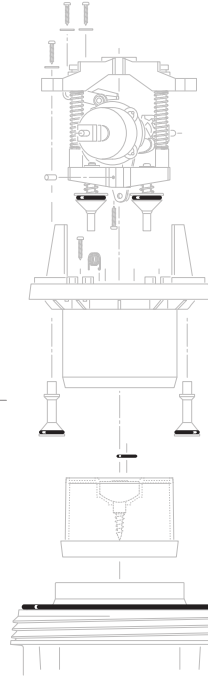
8 m<sup>3</sup>/h - 0.2 - 2%  
40 GPM - 1:500 - 1:50  
0.15 - 8 bar  
2.2 - 116 psi

**D8R**

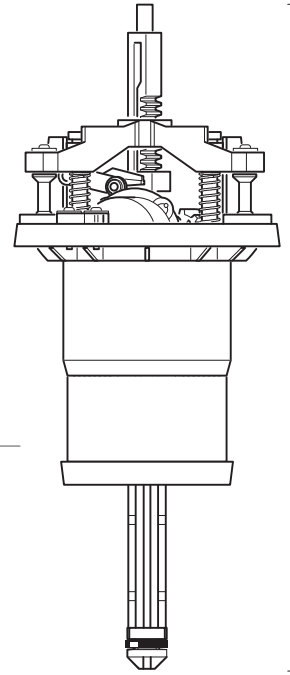


8MP002

8MP003



8EM002

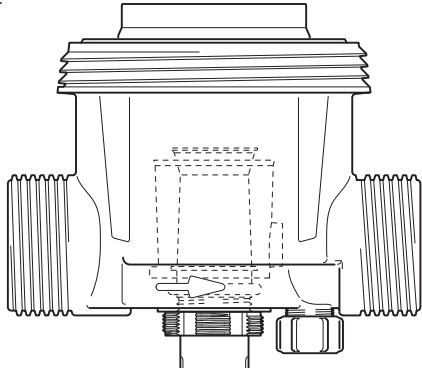


8PC001

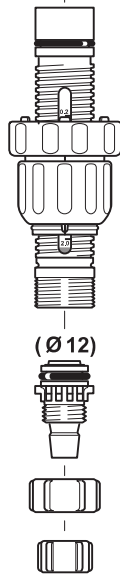


8PJ008

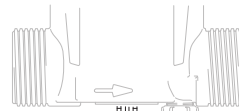
8MP035



8CD023



8PJ052 (Ø 12)



MP222

